

# meite®

## meite®

Guangdong Meite Mechanical Co., Ltd

Marka BOSTITCH jest pewna jakości swoich produktów i gwarantuje ich przydatność do zastosowań profesjonalnych. To odwołanie gwarancyjne ma charakter uzupełniający i w żaden sposób nie narusza praw profesjonalnego użytkownika wynikających z umowy ani ustawowych praw prywatnego, nieprofesjonalnego użytkownika.

Gwarancja obowiązuje na terenie państw członkowskich Unii Europejskiej i strefy wolnego handlu Unii Europejskiej.

Jeśli w ciągu 12 miesięcy od daty zakupu produktu BOSTITCH zostanie stwierdzona wada materiału lub wykonania, BOSTITCH gwarantuje bezpłatną wymianę

wszystkich wadliwych części lub – według własnego uznania – bezpłatną wymianę urządzenia, o ile są spełnione następujące warunki:

- Produkt nie był użytkowany niezgodnie z przeznaczeniem.
- Produkt ulegał typowemu zużyciu; bijaki odbojniki i O-ringi są traktowane jak elementy zużywające się w wyniku normalnego użytkowania i nie są objęte gwarancją.
- Osoby nieupoważnione nie podejmowały prób naprawy.
- Przedłożono dowód zakupu.
- Produkt został odesłany w całości łącznie ze wszystkimi oryginalnymi elementami.

- Produkt został odesłany na koszt użytkownika razem z dowodem zakupu do regionalnego centrum serwisowego.

W razie chęci skorzystania z gwarancji należy powiadomić sprzedawcę, zwrócić się do pobliskiego autoryzowanego punktu serwisowego wymienionego w katalogu BOSTITCH lub skontaktować się z oddziałem BOSTITCH.

Wszystkie przedstawione dane narzędzi służą jedynie celom porównawczym. Kompletne dane techniczne dotyczące BHP są dostępne za żądaniem. Zastrzegamy sobie prawo do błędów i zmian technicznych.



PROFESSIONAL

TOOLS & FASTENERS



Tel:(0086)757-85126856 / Fax:(0086)757-85126850 / Http://www.gdmeite.com

Add:NO.10.Shunjing St..Hequi Industrial Park(B)Lishui Town,Nanhai District.Foshan,GD 528241.China

# meite®

## A complete pneumatic tools, fasteners and accessories supplier.

Established in 1996, Guangdong Meite Mechanical Co., Ltd. is a professional pneumatic products company involving in combination of R&D, manufacturing, sale and service. Meite offers a complete range of air nailers & staplers, fasteners, accessories, compressors, spray guns and air tools for different industries. After 20 plus years rapid development, Meite has become a leading manufacturer for pneumatic products in China.

Since its foundation, Meite introduced the up-to-date technology from all over the world. And our 70,000m<sup>2</sup> plants are equipped with the latest CNC machineries, heat treatment, forging and painting equipments etc. Meite is desired to build a manufacturing base for pneumatic products in China.

Everything begins with the customers. Meite always listens to the users in the field and produces the tools and fasteners to fit their needs. Meite is committed to providing high quality products and professional services for the global customers.



# CONTENT

## 1 CONSTRUCTION SERIES

### Construction Coil Nailer

CN45R	02
CN65	02
CN65S	02
CN83F	02
CN452S	02

### Construction Framing Nailer

SN2183F	02
SN2183FA	02
SN2183F	02

### Construction Coil Nailer

MCN38	02
-------	----

### Construction Flooring Stapler

MFS50	02
-------	----

## 2 INDUSTRIAL COIL NAILER

CN55	02
CN70B	02
CN80B	02
CN90	02
CN100B	02
CN130	02

### Wire Collated Coil Nails

## 3 HEADLESS PINNER

MP630B	02
MP635B	02
MP650B	02
MT840	02
MT850	02

### Headless Pins

## 4 STAPLER SERIES

### Fine Wire Stapler

MT7116	02
MT7116LN	02

MT5016S	02
MT8016	02
MT8016LN	02

### Medium Wire Stapler

MT432KLM	02
MT440KLM	02

### Heavy Wire Stapler

MT-N851-H	02
MT-N851-L	02
PW2638-L	02

### Fine Wire Staples

### Medium Wire Staples

### Heavy Wire Staples

## 5 CLIPPING TOOL

SC712	02
SC760C-I2	02
SC7C-I2	02
SC7E-I2	02
MTHC45	02
MTC560	02

### C-Rings & Clips

## 6 DE-NAILER

AP38	02
T50SC-B	02
NP55	02
NP70	02
BW100	02

## 7 SPECIAL TOOL

### Deco Nailer

1170	02
ZN-12	02

### Picture Frame Tacker

V1015B	02
--------	----

## 8 ACCESSORIES

Accessories	02
-------------	----

# ARCHITECTURAL SERIES





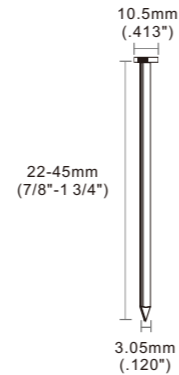
### 1 3/4" Roofing Coil Nailer

**FEATURES**

- Powerful for heavy-duty applications
- Durable driver and bumper for long life
- Adjustable tool depth adjust
- With an adjuster to adjust the nailing depth
- Bump firing trigger for high speed operation

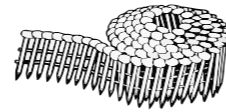
**APPLICATIONS**

Pallets / Crates / Wood case / Sheathing / Siding / Fencing / Decking



**FASTENER**

**Type:** Wire Collated Coil Nails  
**Nail pitch:** 6.8mm (.267 inch)  
**Shank Type:** Smooth, Screw & Ring



## CN45R

Weight	Length	Width	Height	Capacity	Air Inlet	Trigger	Operating pressure
2.6kg/5.7lbs	250mm/9.84"	264mm/10.39"	117mm/4.61"	120pcs	1/4"NPT	Contact	70-120psi



Wear-resistant material made nail gun serve for a long time



Nail leg length adjustment device



Secondary trigger to ensure safety



Adjusting the nailing depth by turning the inner crew



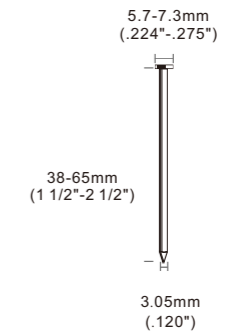
### 2 1/2" Roofing Coil Nailer

**FEATURES**

- 360° exhaust deflector
- Bump firing trigger for high speed operation
- Light weight and well-balanced
- Durable driver and bumper for long life

**APPLICATIONS**

Pallets / Crates / Wood case / Sheathing / Siding / Fencing / Decking



**FASTENER**

**Type:** Wire Collated Coil Nails  
**Nail pitch:** 6.8mm (.267 inch)  
**Shank Type:** Smooth, Screw & Ring



## CN65

Weight	Length	Width	Height	Capacity	Air Inlet	Trigger	Operating pressure
2.92kg/6.44lbs	310mm/12.20"	130mm/5.11"	328mm/12.91"	300pcs	1/4"NPT	Contact	70-120psi

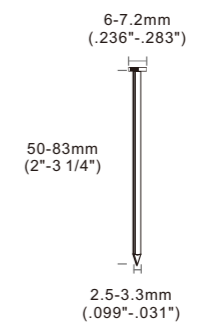
### 3 1/4" Roofing Coil Nailer

**FEATURES**

- Switchable firing mode
- 360° exhaust deflector
- 360° Light weight & well-balanced
- Adjustable depth control
- No-mar tip

**APPLICATIONS**

Pallets / Crates / Wood case / Sheathing / Siding / Fencing / Decking



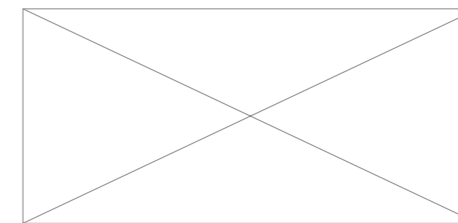
**FASTENER**

**Type:** Wire Collated Coil Nails  
**Nail pitch:** 6.8mm (.267 inch)  
**Shank Type:** Smooth, Screw & Ring

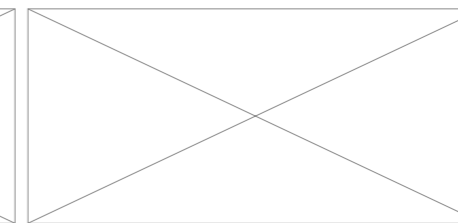


## CN83F

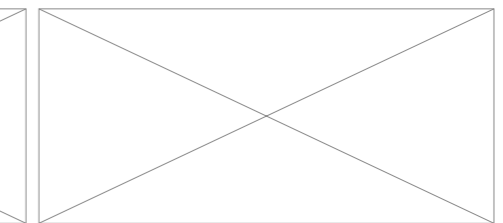
Weight	Length	Width	Height	Capacity	Air Inlet	Trigger	Operating pressure
2.6kg/5.7lbs	250mm/9.84"	264mm/10.39"	117mm/4.61"	120pcs	1/4"NPT	Contact	70-120psi



**Trigger**  
available to change intermittent operation and continuous operation



**Nail Outlet**  
With an adjuster to adjust the nailing depth



**Driver**  
made of higher hardness and superior thermal hardness material, decrease the risk of wear and tear



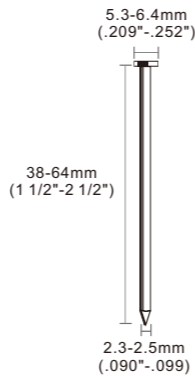
### 2 1/2" Roofing Coil Nailer

**FEATURES**

- Powerful for heavy-duty applications
- Durable driver and bumper for long life
- Adjustable tool depth adjust
- With an adjuster to adjust the nailing depth
- Bump firing trigger for high speed operation

**APPLICATIONS**

Pallets / Crates / Wood case / Sheathing / Siding / Fencing / Decking



**FASTENER**

**Type:** Wire Collated Coil Nails  
**Nail pitch:** 6.8mm (.267 inch)  
**Shank Type:** Smooth, Screw & Ring



## CN65S

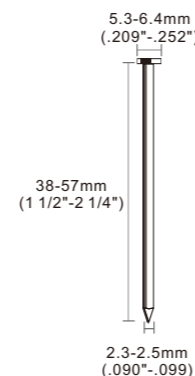
Weight	Length	Width	Height	Capacity	Air Inlet	Trigger	Operating pressure
2.2kg/4.9lbs	290mm/11.42"	130mm/5.12"	300mm/11.81"	200-300pcs	1/4"NPT	Contact	70-120psi



**1.Trigger**  
Single and rapid firing switchable mechanism



**Non-marring Tip and Guard**  
Smooth rubber foot aids in preventing damage to work



**FASTENER**

**Type:** Plastic-collated coil nails  
**Nail pitch:** 6.8mm (.267 inch)  
**Shank Type:** Smooth, Screw & Ring



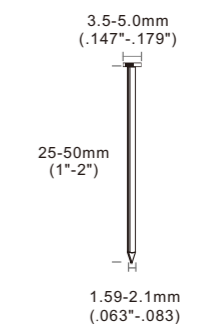
### 2" Roofing Coil Nailer

**FEATURES**

- Switchable firing mode
- 360° exhaust deflector
- 360° Light weight & well-balanced
- Adjustable depth control
- No-mar tip

**APPLICATIONS**

Siding / Decking / Fencing / Sheathing



**FASTENER**

**Type:** Wire Collated Coil Nails  
**Nail pitch:** 6.8mm (.267 inch)  
**Shank Type:** Smooth, Screw & Ring



## CN452S

Weight	Length	Width	Height	Capacity	Air Inlet	Trigger	Operating pressure
1.86kg/4.1lbs	287mm/11.30"	110mm/4.33"	300mm/11.81"	200pcs	1/4"NPT	Contact	60-120psi



# Framing Nailer

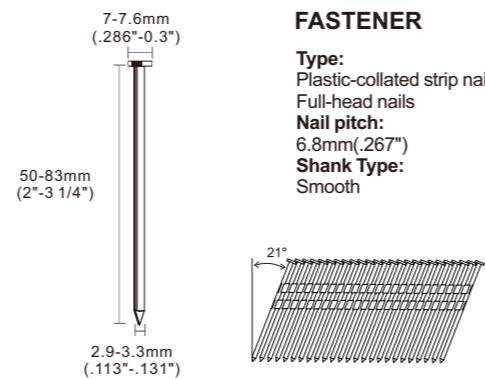
- Pallets / Crates
- Wood case / Sheathing
- Siding, Fencing / Decking



## 3 1/4" Farming Nailer

- FEATURES**
- Powerful for heavy-duty applications
  - Durable driver and bumper for long life
  - Well-balanced comfort rubber grip
  - Accurate nose minimizes nail
  - Bump firing trigger for high speed operation

**APPLICATIONS**  
Pallets / Crates / Wood Case / Sheathing / Siding / Fencing / Decking



**FASTENER**  
Type: Plastic-collated strip nails  
Full-head nails  
Nail pitch: 6.8mm (.267")  
Shank Type: Smooth

## SN2183F

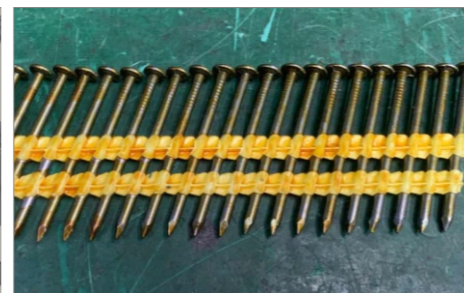
Weight	Length	Width	Height	Capacity	Air Inlet	Trigger	Operating pressure
4.0kg/8.8lbs	538mm/21.18"	108mm/4.25"	340mm/13.39"	50-70pcs	1/4"NPT	Contact	70-120psi



**Trigger**  
available to change intermittent operation and continuous operation



**Magazine**  
Solid top-loading high-strength steel magazine for longer life



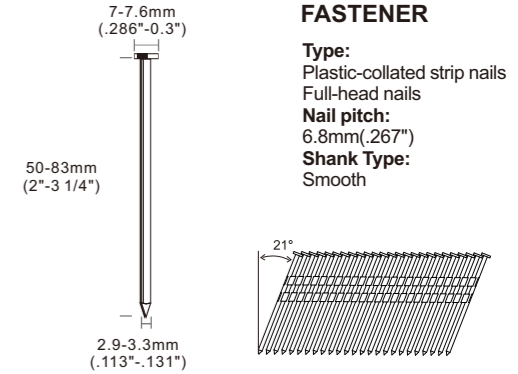
**Nails Outlet**  
Hardened claw tip for less wear and slippage

## SN2183FA

## 3 1/4" Farming Nailer

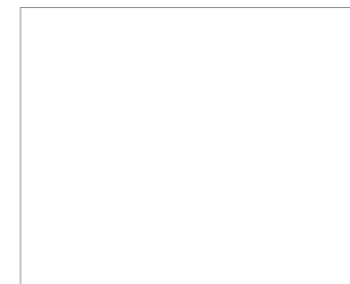
- FEATURES**
- Powerful for heavy-duty applications
  - Durable driver and bumper for long life
  - Well-balanced comfort rubber grip
  - Accurate nose minimizes nail
  - Bump firing trigger for high speed operation

**APPLICATIONS**  
Pallets / Crates / Wood Case / Sheathing / Siding / Fencing / Decking

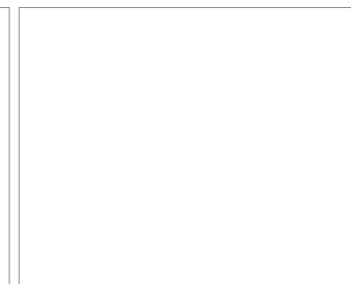


**FASTENER**  
Type: Plastic-collated strip nails  
Full-head nails  
Nail pitch: 6.8mm (.267")  
Shank Type: Smooth

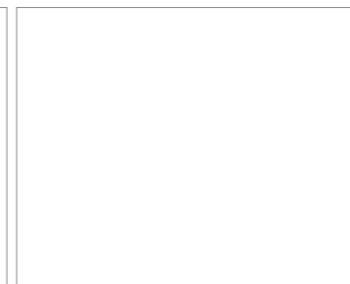
Weight	Length	Width	Height	Capacity	Air Inlet	Trigger	Operating pressure
2.6kg/5.7lbs	250mm/9.84"	264mm/10.39"	117mm/4.61"	120pcs	1/4"NPT	Contact	70-120psi



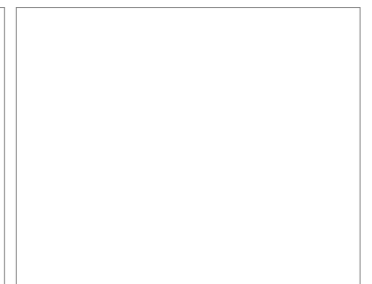
**Trigger**  
available to change intermittent operation and continuous operation



**Magazine**  
Solid top-loading high-strength steel magazine for longer life



**Nails Outlet**  
Hardened claw tip for less wear and slippage



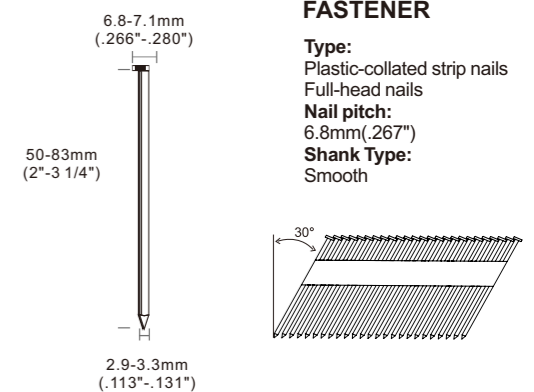
**Nails Outlet**  
Hardened claw tip for less wear and slippage



## 3 1/4" Farming Nailer

- FEATURES**
- Powerful for heavy-duty applications
  - Durable driver and bumper for long life
  - Well-balanced comfort rubber grip
  - Accurate nose minimizes nail
  - Bump firing trigger for high speed operation

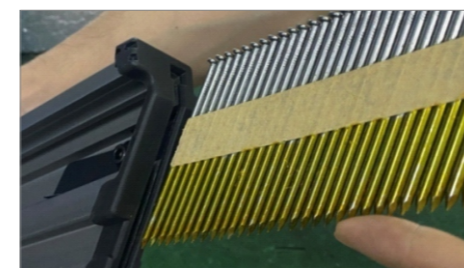
**APPLICATIONS**  
Pallets / Crates / Wood Case / Sheathing / Siding / Fencing / Decking



**FASTENER**  
Type: Plastic-collated strip nails  
Full-head nails  
Nail pitch: 6.8mm (.267")  
Shank Type: Smooth

## SN3483F

Weight	Length	Width	Height	Capacity	Air Inlet	Trigger	Operating pressure
4.1kg/9.0lbs	460mm/18.11"	108mm/4.25"	360mm/14.17"	68-90pcs	1/4"NPT	Contact	70-100psi



**Magazine**  
Solid top-loading high-strength steel magazine for longer life



**Nails Outlet**  
Hardened claw tip for less wear and slippage



**Nails Outlet**  
Hardened claw tip for less wear and slippage

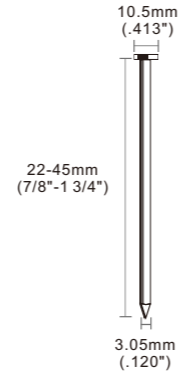
### 1 3/4" Roofing Coil Nailer

**FEATURES**

- Powerful for heavy-duty applications
- Durable driver and bumper for long life
- Well-balanced comfort rubber grip
- Accurate nose minimize nailiam
- Bump firing trigger for high speed operation

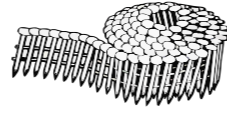
**APPLICATIONS**

Pallets / Crates / Wood Case / Sheathing / Siding / Fencing / Decking



**FASTENER**

Type: Wire Collated Coil Nails  
 Nail pitch: 6.8mm (.267")  
 Shank Type: Smooth, Screw & Ring



**MCN38**

Weight	Length	Width	Height	Capacity	Air Inlet	Trigger	Operating pressure
2.6kg/5.7lbs	250mm/9.84"	264mm/10.39"	117mm/4.61"	120pcs	1/4"NPT	Contact	70-120psi



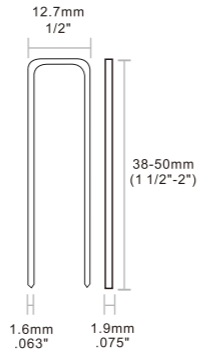
### Pneumatic mallet actuated Flooring stapler

**FEATURES**

- Mallet actuated
- Powerful, well-balanced
- Ergonomic handle reduces user fatigue

**APPLICATIONS**

Flooring



**FASTENER**

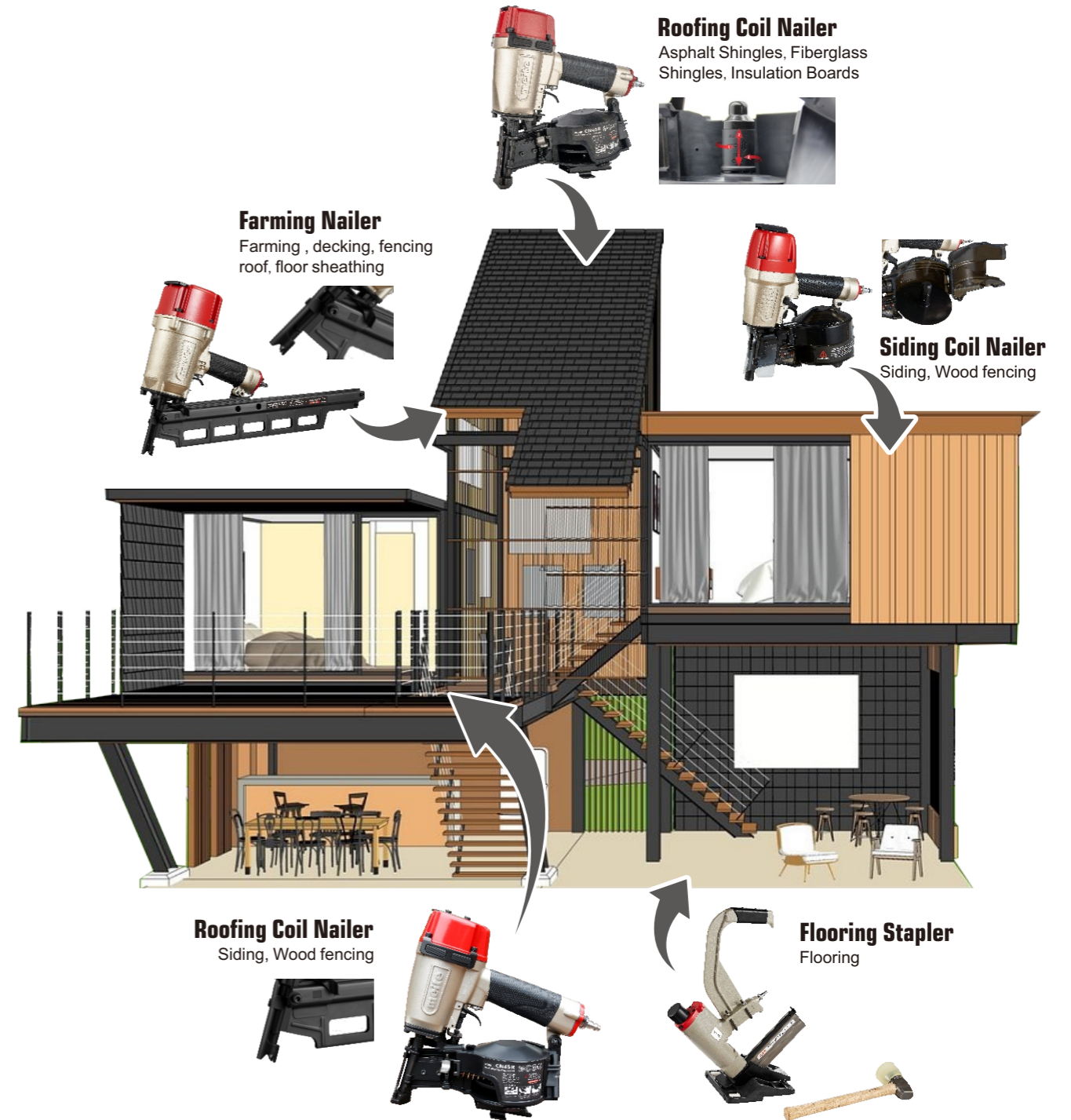
Type: Flooring Staple  
 Gauge size: 15.5GA

**MFS50**

Weight	Length	Width	Height	Capacity	Air Inlet	Trigger	Operating pressure
2.6kg/5.7lbs	250mm/9.84"	264mm/10.39"	117mm/4.61"	120pcs	1/4"NPT	Contact	70-120psi



# MEITE TOOL RECOMMENDATION



# INDUSTRIAL COIL NAILER



15°  
COIL NAILER

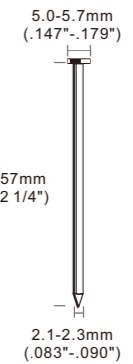
## 2 1/4" Coil Nailer

### FEATURES

- Powerful for heavy-duty applications
- Well-balanced, comfort rubber grip
- Bump firing trigger for high speed operation
- Durable driver and bumper for long life
- Accurate nose, minimize nail jam

### APPLICATIONS

Pallets / Crates / Wood case / Sheathing / Siding / Fencing / Decking



### FASTENER

Type: Wire Collated Coil Nails  
Nail pitch: 6.8mm (.267")  
Shank Type: Smooth, Screw & Ring



## CN55

Weight	Length	Width	Height	Capacity	Air Inlet	Trigger	Operating pressure
2.75kg/6.06lbs	270mm/10.62"	131mm/5.15"	283mm/11.14"	300-400pcs	1/4"NPT	Contact	70-120psi



**Trigger**  
Sequential fire mechanism is available



**Exhaust Cap**  
Available to rotate 360 degrees to automatically adjust the direction of the air outlet



**Sensitive Trigger**  
Available in continuously nailing by pressing the trigger and hitting the work items



使用场景



15°  
COIL NAILER

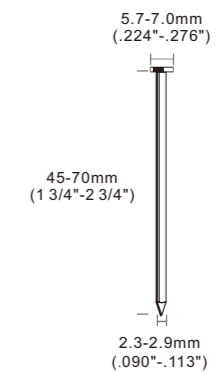
## 2 3/4" Coil Nailer

### FEATURES

- Powerful for heavy-duty applications
- Well-balanced, comfort rubber grip
- Bump firing trigger for high speed operation
- Durable driver and bumper for long life
- Accurate nose, minimize nail jam

### APPLICATIONS

Pallets / Crates / Wood case / Sheathing / Siding / Fencing / Decking



### FASTENER

Type: Wire Collated Coil Nails  
Nail pitch: 8mm (.314")  
Shank Type: Smooth, Screw & Ring

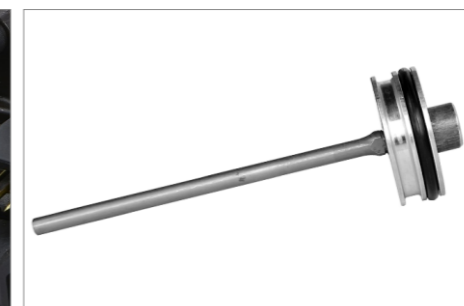


## CN70B

Weight	Length	Width	Height	Capacity	Air Inlet	Trigger	Operating pressure
3.84kg/8.47lbs	336mm/13.22"	143mm/5.62"	318mm/12.51"	225-300pcs	1/4"NPT	Contact	70-100psi



**Nail Box**  
Made of plastic, has a large capacity for easy loading and unloading



**Driver Set**  
The driver set made of high intensity steel, has stronger force and more durable



**Sensitive Trigger**  
Available in continuously nailing by pressing the trigger and hitting the work items



15°  
COIL NAILER

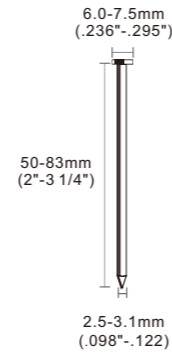
### 3 1/4" Coil Nailer

#### FEATURES

- Powerful for heavy-duty applications
- Well-balanced, comfort rubber grip
- Bump firing trigger for high speed operation
- Durable driver and bumper for long life
- Accurate nose, minimize nail jam

#### APPLICATIONS

Pallets / Crates / Wood case / Packaging / Decking / Sheathing



#### FASTENER

Type: Wire Collated Coil Nails  
Nail pitch: 8mm(.314")  
Shank Type: Smooth, Screw & Ring



**CN80B**

Weight	Length	Width	Height	Capacity	Air Inlet	Trigger	Operating pressure
4.02kg/8.86lbs	347mm/13.66"	137mm/5.39"	348mm/13.70"	225-300pcs	1/4"NPT	Contact	70-100psi



15°  
COIL NAILER

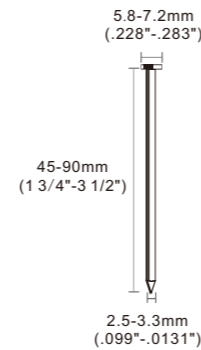
### 3 1/2" Coil Nailer

#### FEATURES

- Powerful for heavy-duty applications
- Well-balanced, comfort rubber grip
- Bump firing trigger for high speed operation
- Durable driver and bumper for long life
- Accurate nose, minimize nail jam

#### APPLICATIONS

Pallets / Crates / Wood case / Packaging / Decking / Sheathing



#### FASTENER

Type: Wire Collated Coil Nails  
Nail pitch: 8mm(.314")  
Shank Type: Smooth, Screw & Ring



**CN90**

Weight	Length	Width	Height	Capacity	Air Inlet	Trigger	Operating pressure
4.13kg/9.11lbs	385mm/15.15"	137mm/5.39"	365mm/14.37"	225-300pcs	1/4"NPT	Contact	100-120psi



15°  
COIL NAILER

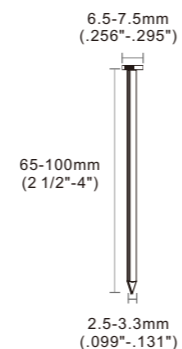
### 4" Coil Nailer

#### FEATURES

- Powerful for heavy-duty applications
- Well-balanced when hung on balancer
- Rubber comfort grip
- Downward directional exhaust
- Durable driver and bumper for long life

#### APPLICATIONS

Pallets / Crates / Wood case / Packaging / Decking / Sheathing



#### FASTENER

Type: Wire Collated Coil Nails  
Nail pitch: 10.5mm(.413")  
Shank Type: Smooth, Screw & Ring



**CN100B**

Weight	Length	Width	Height	Capacity	Air Inlet	Trigger	Operating pressure
5.67kg/12.5lbs	370mm/14.56"	159mm/6.25"	420mm/16.53"	225-300pcs	1/4"NPT	Contact	100-120psi



15°  
COIL NAILER

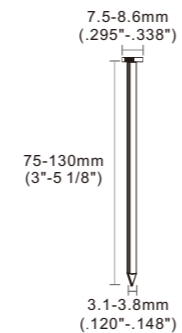
### 5 1/8" Coil Nailer

#### FEATURES

- Powerful for heavy-duty applications
- Well-balanced when hung on balancer
- Rubber comfort grip
- Downward directional exhaust
- Durable driver and bumper for long life

#### APPLICATIONS

Pallets / Crates / Wood case / Packaging / Framing



#### FASTENER

Type: Wire Collated Coil Nails  
Nail pitch: 10.5mm(.413")  
Shank Type: Smooth, Screw & Ring



**CN100B**

Weight	Length	Width	Height	Capacity	Air Inlet	Trigger	Operating pressure
6.51kg/14.35lbs	370mm/14.56"	165mm/6.49"	479mm/18.85"	120-225pcs	1/4"NPT	Contact	100-120psi

# MEITE TOOL RECOMMENDATION



**CN70**  
Pallets, Crates, Wood case, Sheathing, Siding, Fencing, Decking

**CN130**  
Pallets, Crates, Wood case, Packaging, Framing



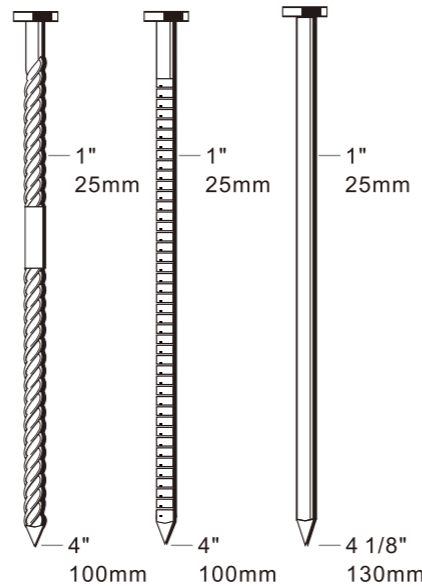
**CN90**  
Pallets, Crates, Wood case, Packaging, Decking, Sheathing



# COIL NAIL

## NAIL SPECIFICATIONS

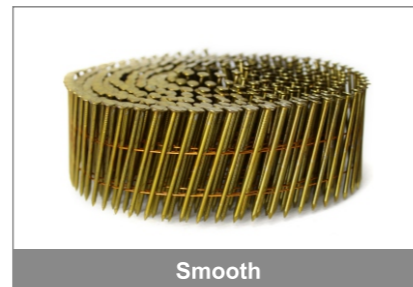
MODEL	SIZE	DIAMETER	FINISH	BOX / QTY	BOX / CTN
2125	1"(25mm)	.083"(2.1mm)	Coating	20000	1
2127	1 1/8"(27mm)	.083"(2.1mm)	Coating	20000	1
2128	1 1/8"(28mm)	.083"(2.1mm)	Coating	16000	1
2132	1 1/4"(32mm)	.083"(2.1mm)	Coating	16000	1
2135	1 3/8"(35mm)	.083"(2.1mm)	Coating	16000	1
2138	1 1/2"(38mm)	.083"(2.1mm)	Coating	16000	1
2140	1 9/16"(40mm)	.083"(2.1mm)	Coating	16000	1
2145	1 3/4"(45mm)	.083"(2.1mm)	Coating	12000	1
2150	2"(50mm)	.083"(2.1mm)	Coating	12000	1
2155	2 1/8"(55mm)	.083"(2.1mm)	Coating	12000	1
2157	2 1/4"(55mm)	.083"(2.1mm)	Coating	12000	1
2345	1 3/4"(45mm)	.091"(2.3mm)	Coating	9000	1
2350B	2"(50mm)	.091"(2.3mm)	Coating	9000	1
2355	2 1/8"(55mm)	.091"(2.3mm)	Coating	9000	1
2357B	2 1/4"(57mm)	.091"(2.3mm)	Coating	9000	1
2360	2 3/8"(60mm)	.091"(2.3mm)	Coating	9000	1
2364	2 1/2"(64mm)	.091"(2.3mm)	Coating	9000	1
2545	1 3/4"(45mm)	.098"(2.5mm)	Coating	9000	1
2550	2"(50mm)	.098"(2.5mm)	Coating	9000	1
2557	2 1/4"(57mm)	.098"(2.5mm)	Coating	9000	1
2560	2 3/8"(60mm)	.098"(2.5mm)	Coating	9000	1
2564	2 1/2"(64mm)	.098"(2.5mm)	Coating	9000	1
2570	2 3/4"(70mm)	.098"(2.5mm)	Coating	6000	1
2575	3"(75mm)	.098"(2.5mm)	Coating	6000	1
2580	3 1/8"(80mm)	.098"(2.5mm)	Coating	6000	1
2970	2 3/4"(70mm)	.114"(2.9mm)	Coating	4500	1
2976	3"(76mm)	.114"(2.9mm)	Coating	4500	1
2980	3 1/8"(80mm)	.114"(2.9mm)	Coating	4500	1
2990	3 1/2"(90mm)	.114"(2.9mm)	Coating	4500	1
29100	4"(100mm)	.114"(2.9mm)	Coating	2700	1
3170	2 3/4"(70mm)	.122"(3.1mm)	Coating	2700	1
3175	3"(75mm)	.122"(3.1mm)	Coating	2700	1
3180	3 1/8"(80mm)	.122"(3.1mm)	Coating	2700	1
3190	3 1/2"(90mm)	.122"(3.1mm)	Coating	2700	1
3195	3 3/4"(95mm)	.122"(3.1mm)	Coating	2700	1
31100	4"(100mm)	.122"(3.1mm)	Coating	2700	1
31110	3 1/2"(90mm)	.122"(3.1mm)	Coating	2700	1
31120	4 13/16"(120mm)	.122"(3.1mm)	Coating	2700	1
3483	3 1/4"(38mm)	.130"(3.3mm)	Coating	2700	1
3490	3 1/2"(90mm)	.130"(3.3mm)	Coating	2700	1
3495	3 3/4"(95mm)	.130"(3.3mm)	Coating	2700	1
34100	4"(100mm)	.130"(3.3mm)	Coating	2700	1
34120	4 13/16"(120mm)	.130"(3.3mm)	Coating	2700	1
38130	5 3/16"(64mm)	.156"(3.8mm)	Coating	1440	1



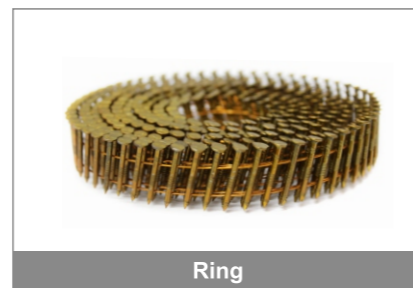
## SHANK TYPE



Screw



Smooth



Ring



**FINISH & WOODWORKING**



23 GA HEADLESS PINNER

### 1 3/16" Headless Pinner

#### FEATURES

- Well-balanced ergonomically designed
- Powerful for heavy-duty applications
- Rear exhaust with embedded silencer
- Secondary trigger design
- Automatic adjustment magazine

#### APPLICATIONS

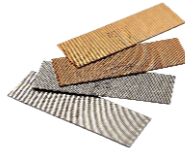
Windows / Door, Cabinets / Interior Decoration

12-30mm  
(1/2"-1 3/16")

Ø0.63mm  
(.025")

#### FASTENER

Type: Glued strip headless pins  
Gauge size: 23GA  
Material: Galvanized, stainless



## MP630B

Weight	Length	Width	Height	Capacity	Air Inlet	Trigger	Operating pressure
0.85kg/1.83lbs	225mm/8.88"	52mm/2.05"	185mm/7.28"	100pcs	1/4"NPT	Trigger	70-100psi



360° Exhaust Deflector



Simple Secondary Trigger



Automatic Adjustment Magazine



23 GA HEADLESS PINNER

### 1 3/8" Headless/Mini Brad Pinner

#### FEATURES

- Well-balanced ergonomically designed
- Powerful for heavy-duty applications
- Rear exhaust with embedded silencer
- Secondary trigger design
- Automatic adjustment magazine

#### APPLICATIONS

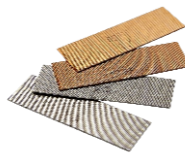
Windows / Door / Cabinets / Interior Decoration

22-35mm  
(7/8"-1 3/8")

Ø0.63mm  
(.025")

#### FASTENER

Type: Glued strip headless pins  
Gauge size: 23GA  
Material: Galvanized, stainless



## MP635B

Weight	Length	Width	Height	Capacity	Air Inlet	Trigger	Operating pressure
0.91kg/2.01lbs	230mm/9.05"	80mm/3.15"	196mm/7.72"	100pcs	1/4"NPT	Trigger	70-100psi



IF use mini brad the head should be upward.



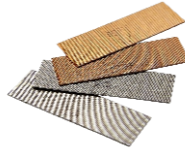
If use headless pin, the arrow should be downward.

12-35mm  
(1/2"-1 3/8")

Ø0.63mm  
(.025")

#### FASTENER

Type: Glued strip headless pins  
Gauge size: 23GA  
Material: Galvanized, stainless



23 GA HEADLESS PINNER

### 2" Headless/Mini Brad Pinner

#### FEATURES

- Well-balanced ergonomically designed
- Powerful for heavy-duty applications
- Rear exhaust with embedded silencer
- Secondary trigger design
- Automatic adjustment magazine

#### APPLICATIONS

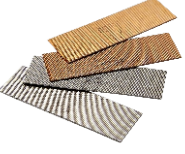
Windows / Door / Cabinets / Interior Decoration

12-50mm  
(1/2"-2")

Ø0.63mm  
(.025")

#### FASTENER

Type: Glued strip headless pins  
Gauge size: 23GA  
Material: Galvanized, stainless



## MP650B

Weight	Length	Width	Height	Capacity	Air Inlet	Trigger	Operating pressure
1.15kg/2.54lbs	230mm/9.05"	60mm/2.36"	226mm/8.89"	100pcs	1/4"NPT	Trigger	80-100psi



21 GA HEADLESS PINNER

### 1 9/16" Headless/Mini Brad Pinner

#### FEATURES

- Well-balanced ergonomically designed
- Powerful for heavy-duty applications
- Rear exhaust with embedded silencer
- Secondary trigger design
- Automatic adjustment magazine

#### APPLICATIONS

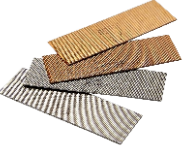
Windows / Door / Cabinets / Interior Decoration

12-40mm  
(1/2"-1 9/16")

Ø0.84mm  
(.033")

#### FASTENER

Type: Glued strip headless pins  
Gauge size: 21GA  
Material: Galvanized, stainless



## MT840

Weight	Length	Width	Height	Capacity	Air Inlet	Trigger	Operating pressure
1.19kg/2.62lbs	260mm/10.7"	60mm/2.36"	208mm/8.18"	147pcs	1/4"NPT	Trigger	80-100psi



21 GA HEADLESS PINNER

### 2" Headless/Mini Brad Pinner

#### FEATURES

- Well-balanced ergonomically designed
- Powerful for heavy-duty applications
- Rear exhaust with embedded silencer
- Secondary trigger design
- Automatic adjustment magazine

#### APPLICATIONS

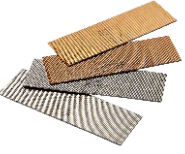
Windows / Door / Cabinets / Interior Decoration

12-50mm  
(1/2"-2")

Ø0.84mm  
(.033")

#### FASTENER

Type: Glued strip headless pins  
Gauge size: 23GA  
Material: Galvanized, stainless

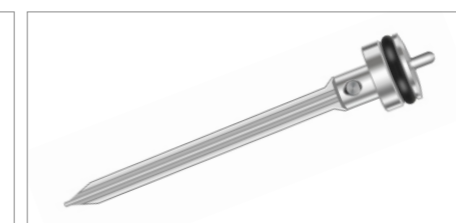


## MT850

Weight	Length	Width	Height	Capacity	Air Inlet	Trigger	Operating pressure
1.3kg/2.87lbs	256mm/10.7"	60mm/2.36"	227mm/8.93"	147pcs	1/4"NPT	Trigger	80-100psi



Aluminium alloy gun body



Imported material for driver set



Hard anodizing magazine

# MEITE TOOL RECOMMENDATION

## MP630B

Windows, Door, Cabinets,  
Interior Decoration



## MT840

Windows, Door, Cabinets,  
Interior Decoration



## MP635B

Windows, Door, Cabinets,  
Interior Decoration



## MT850

Windows, Door, Cabinets  
Interior Decoration



# HEADLESS PINS

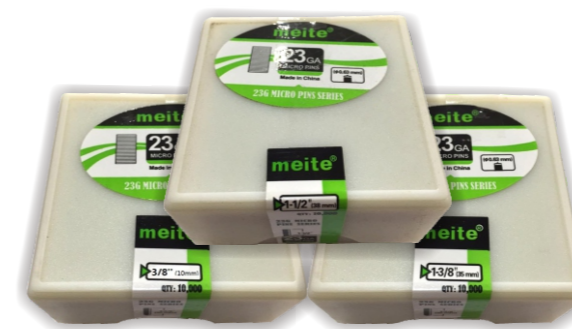
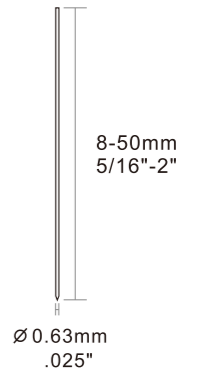
PINS SPECIFICATIONS				
MODEL	SIZE	FINISH	BOX / QTY	BOX / CTN
608	5/16"(8mm)	Copper Coating / Stainless	10000	48
610	3/8"(10mm)	Copper Coating / Stainless	10000	48
612	1/2"(12mm)	Copper Coating / Stainless	10000	48
615	5/8"(15mm)	Copper Coating / Stainless	10000	48
618	3/4"(18mm)	Copper Coating / Stainless	10000	48
620	13/16"(20mm)	Copper Coating / Stainless	10000	48
622	7/8"(22mm)	Copper Coating / Stainless	10000	48
625	1"(25mm)	Copper Coating / Stainless	10000	48
630	1 3/16"(30mm)	Copper Coating / Stainless	10000	48
635	1 3/8"(35mm)	Copper Coating / Stainless	10000	24/48
640	1 9/16"(40mm)	Copper Coating / Stainless	10000	48
645	1 3/4"(45mm)	Copper Coating / Stainless	10000	48
650	2"(50mm)	Copper Coating / Stainless	10000	48



Copper color



Original



Plastic Box Packing



Small Pack



**FURNITURE & UPHOLSTERY**

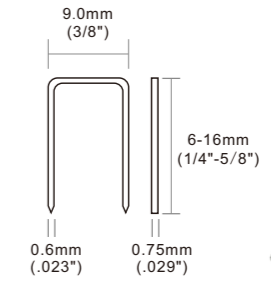
22 GA  
FINE WIRE  
STAPLER



**3/8" Fine Wire Stapler**

**FEATURES**

- Compact and light weight design
- Built in silencer makes soft noise
- Rear exhaust keeps oil off fabric and face
- Ergonomic handle with rubber comfort grip
- Durable driver and bumper for long life



**FASTENER**

Type: Fine Wire Staples  
Gauge size: 22GA  
Collation Type: Glued Strip



**APPLICATIONS**

Upholstery / Furniture / Cabinets / Car Seat / Picture Frames

**MT7116**

Weight	Length	Width	Height	Capacity	Air Inlet	Trigger	Operating pressure
0.94kg/2.07lbs	213mm/8.38"	44mm/1.73"	105mm/4.13"	190pcs	1/4"NPT	Contact	70-100psi

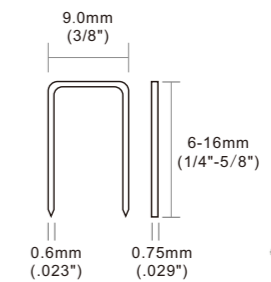
22 GA  
FINE WIRE  
STAPLER



**3/8" Fine Wire Stapler**

**FEATURES**

- Compact and light weight design
- Built in silencer makes soft noise
- Rear exhaust keeps oil off fabric and face
- Ergonomic handle with rubber comfort grip
- Durable driver and bumper for long life



**FASTENER**

Type: Fine Wire Staples  
Gauge size: 22GA  
Collation Type: Glued Strip



**APPLICATIONS**

Upholstery / Furniture / Cabinets / Car Seat / Picture Frames

**MT7116LN**

Weight	Length	Width	Height	Capacity	Air Inlet	Trigger	Operating pressure
1.03kg/2.27lbs	221mm/8.70"	43mm/1.69"	192mm/7.55"	190pcs	1/4"NPT	Contact	70-100psi

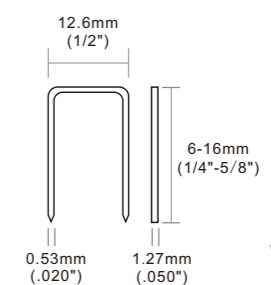
20 GA  
FINE WIRE  
STAPLER



**1/2" Fine Wire Stapler**

**FEATURES**

- Compact and light weight design
- Built in silencer makes soft noise
- Rear exhaust keeps oil off fabric and face
- Ergonomic handle with rubber comfort grip
- Durable driver and bumper for long life



**FASTENER**

Type: Fine Wire Staples  
Gauge size: 20GA  
Collation Type: Glued Strip



**APPLICATIONS**

Upholstery / Furniture / Cabinets / Car Seat / Picture Frames

Secondary trigger

**MT5016S**

Weight	Length	Width	Height	Capacity	Air Inlet	Trigger	Operating pressure
0.95kg/2.09lbs	213mm/8.38"	44mm/1.73"	105mm/4.13"	114pcs	1/4"NPT	Contact	70-100psi



MT7116 Classic Model, Economical and Durable



MT7116LN Long nose model, suitable for small space



MT5016S Small and light trigger



21 GA FINE WIRE STAPLER

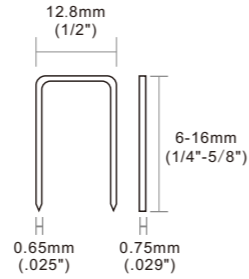
### 1/2" Fine Wire Stapler

#### FEATURES

- Compact and light weight design
- Built in silencer makes soft noise
- Rear exhaust keeps oil off fabric and face
- Ergonomic handle with rubber comfort grip
- Durable driver and bumper for long life

#### APPLICATIONS

Upholstery / Furniture / Cabinets / Car Seat / Picture Frames



#### FASTENER

Type: Fine Wire Staples  
Gauge size: 21GA  
Collation Type: Glued Strip



MT8016

Weight	Length	Width	Height	Capacity	Air Inlet	Trigger	Operating pressure
0.95kg/2.09lbs	213mm/8.38"	44mm/1.73"	105mm/4.13"	150pcs	1/4"NPT	Contact	70-100psi



21 GA FINE WIRE STAPLER

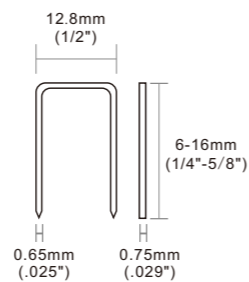
### 1/2" Fine Wire Stapler

#### FEATURES

- Compact and light weight design
- Built in silencer makes soft noise
- Rear exhaust keeps oil off fabric and face
- Ergonomic handle with rubber comfort grip
- Durable driver and bumper for long life

#### APPLICATIONS

Upholstery / Furniture / Cabinets / Car Seat / Picture Frames



#### FASTENER

Type: Fine Wire Staples  
Gauge size: 21GA  
Collation Type: Glued Strip



MT8016LN

Weight	Length	Width	Height	Capacity	Air Inlet	Trigger	Operating pressure
1.03kg/2.27lbs	221mm/8.70"	43mm/1.69"	192mm/7.55"	150pcs	1/4"NPT	Contact	70-100psi



18 GA MEDIUM WIRE STAPLER

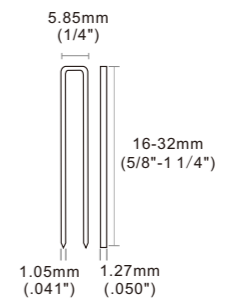
### 1/4" Medium Wire Stapler

#### FEATURES

- Built in silencer
- Light weight
- Rubber comfort grip
- Single and rapid firing switchable
- Mechanism Adjustable depth control

#### APPLICATIONS

Furniture / Cabinets / Windows / Door



#### FASTENER

Type: Medium Wire Staples  
Gauge size: 18GA  
Collation Type: Glued Strip



MT432KLM

Weight	Length	Width	Height	Capacity	Air Inlet	Trigger	Operating pressure
1.45kg/3.2lbs	300mm/11.81"	60mm/2.36"	220mm/8.66"	140pcs	1/4"NPT	Contact	80-120psi

18 GA MEDIUM WIRE STAPLER

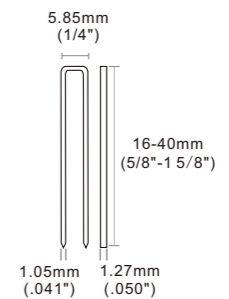
### 1/4" Medium Wire Stapler

#### FEATURES

- Built in silencer
- Light weight
- Rubber comfort grip
- Single and rapid firing switchable
- Mechanism Adjustable depth control

#### APPLICATIONS

Furniture / Cabinets / Windows / Door



#### FASTENER

Type: Medium Wire Staples  
Gauge size: 18GA  
Collation Type: Glued Strip



MT440KLM

Weight	Length	Width	Height	Capacity	Air Inlet	Trigger	Operating pressure
1.97kg/4.34lbs	300mm/11.81"	70mm/2.75"	242mm/9.52"	140pcs	1/4"NPT	Contact	80-120psi

17 GA HEAVY WIRE STAPLER  
16 GA HEAVY WIRE STAPLER



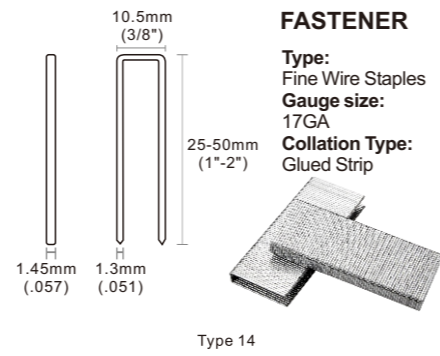
**7/16" Crown Heavy Stapler**

**FEATURES**

- Light weight
- Well-balanced
- Powerful
- Depth control with a simple adjustable knob
- Single and rapid firing switchable mechanism
- Quick jams release

**APPLICATIONS**

Solid wood furniture / Wooden packing boxes / Sofa frame / Sheathing Roof / Decking / Subflooring



**MT-N851-H**

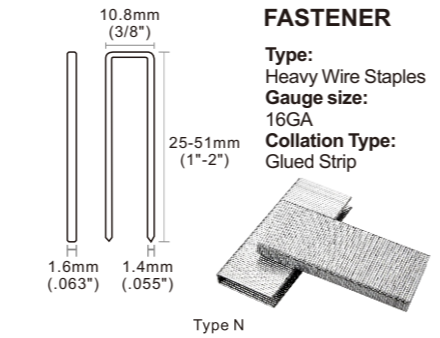
Weight	Length	Width	Height	Capacity	Air Inlet	Trigger	Operating pressure
2.5kg/5.51lbs	370mm/14.56"	93mm/3.66"	288mm/11.33"	140pcs	1/4"NPT	Contact	80-120psi



调节...



供拆枪嘴



Type N

17 GA HEAVY WIRE STAPLER  
16 GA HEAVY WIRE STAPLER



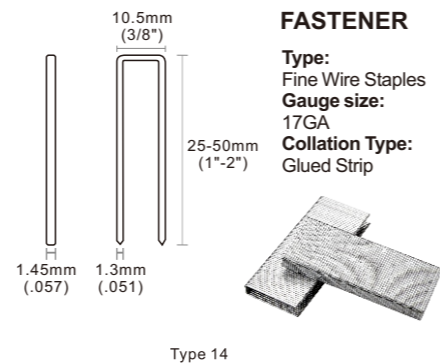
**7/16" Crown Heavy Stapler**

**FEATURES**

- Light weight
- Well-balanced
- Depth control with a simple adjustable knob
- Quick jams release

**APPLICATIONS**

Solid wood furniture / Wooden packing boxes / Sofa frame / Sheathing Roof / Decking / Subflooring



Type 14

**MT-N851-L**

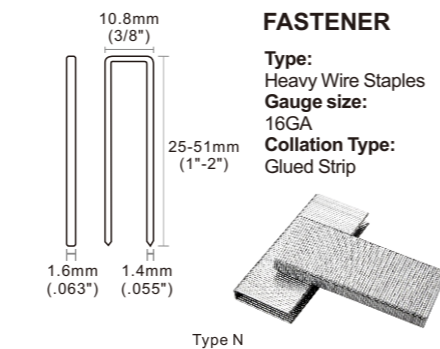
Weight	Length	Width	Height	Capacity	Air Inlet	Trigger	Operating pressure
1.97kg/4.34lbs	300mm/11.81"	70mm/2.75"	242mm/9.52"	140pcs	1/4"NPT	Contact	80-120psi



弹夹特点



供拆枪嘴



Type N

16 GA HEAVY WIRE STAPLER



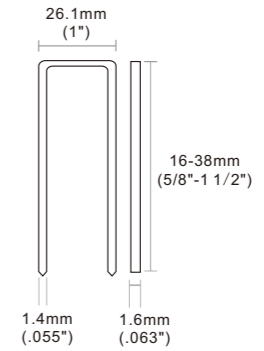
**1" Crown Heavy Wire Stapler**

**FEATURES**

- Light weight
- Rapid firing
- Rubber comfort grip
- Quick jams release

**APPLICATIONS**

Solid wood furniture / Wooden packing boxes / Sofa frame / Sheathing Roof / Decking / Subflooring



**FASTENER**

Type: Heavy Wire Staples  
Gauge size: 16GA  
Collation Type: Glued Strip

**PW2638-L**

Weight	Length	Width	Height	Capacity	Air Inlet	Trigger	Operating pressure
2.5kg/5.51lbs	372mm/14.64"	83mm/3.26"	272mm/10.70"	140pcs	1/4"NPT	Contact	80-120psi

**MEITE TOOL RECOMMENDATION**



**MT7116**  
Upholstery, Furniture, Cabinets, Car Seat, Picture Frames



**MT-N851-H**  
Solid wood furniture, Wooden packing boxes, Sofa frame, Sheathing Roof and decking Subflooring etc

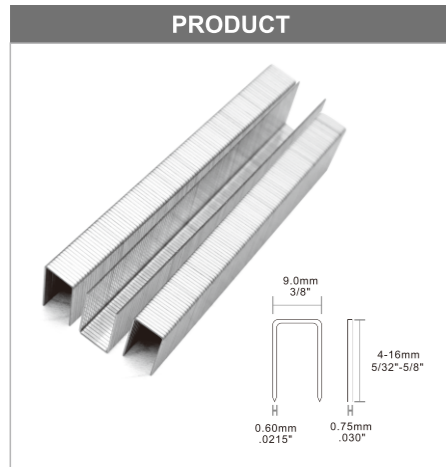


**MT8016LN**  
Upholstery, Furniture, Cabinets, Car Seat, Picture Frames



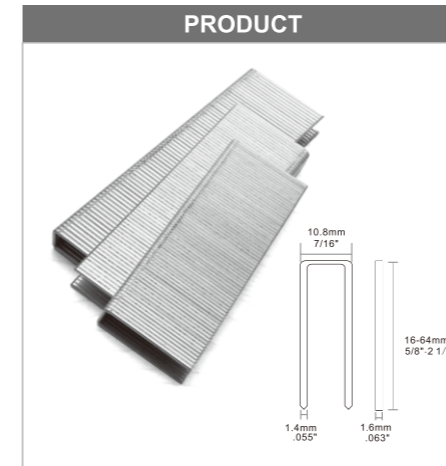
**MT440KLM**  
Furniture, Cabinets, windows and door

**22 GA**  
FINE WIRE  
STAPLE  
**71 Series**



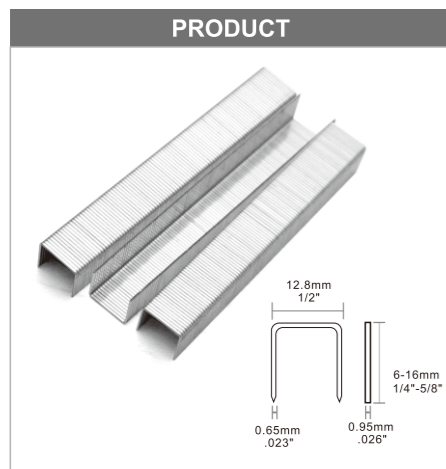
STAPLE SPECIFICATIONS				
MODEL	SIZE	FINISH	BOX / QTY	BOX / CTN
7104	5/32"(4mm)	Galv	10000	20
7106	1/4"(6mm)	Galv	10000	20
7108	5/16"(8mm)	Galv	10000	20
7110	3/8"(10mm)	Galv	10000	20
7112	1/2"(12mm)	Galv	10000	20
7114	9/16"(14mm)	Galv	10000	20
7116	5/8"(16mm)	Galv	10000	20

**16 GA**  
HEAVY WIRE  
STAPLE  
**N Series**



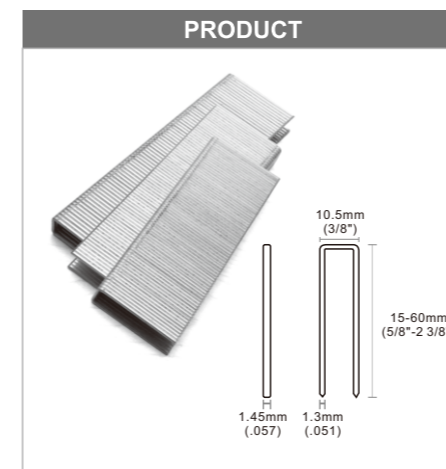
STAPLE SPECIFICATIONS				
MODEL	SIZE	FINISH	BOX / QTY	BOX / CTN
N16	5/8"(16mm)	Galv	10000	1
N19	3/4"(19mm)	Galv	10000	1
N22	7/8"(22mm)	Galv	10000	1
N25	1"(25mm)	Galv	10000	1
N28	1 1/8"(28mm)	Galv	10000	1
N32	1 1/4"(32mm)	Galv	10000	1
N35	1 3/8"(35mm)	Galv	10000	1
N38	1 1/2"(38mm)	Galv	10000	1
N40	1 9/16"(40mm)	Galv	10000	1
N45	1 3/4"(45mm)	Galv	10000	1
N50	2"(50mm)	Galv	10000	1

**21 GA**  
FINE WIRE  
STAPLE  
**80 Series**



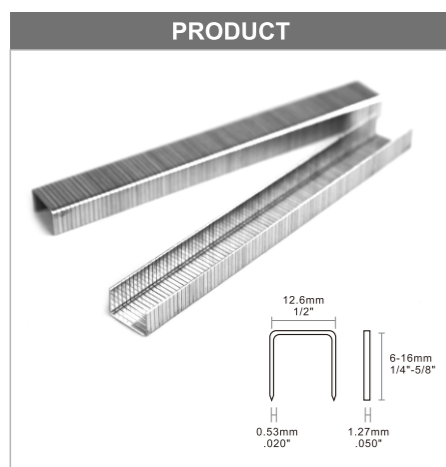
STAPLE SPECIFICATIONS				
MODEL	SIZE	FINISH	BOX / QTY	BOX / CTN
8006	1/4"(6mm)	Galv	10000	20
8008	5/15"(8mm)	Galv	10000	20
8010	3/8"(10mm)	Galv	10000	10
8012	1/2"(12mm)	Galv	10000	10
8014	9/16"(14mm)	Galv	10000	10
8016	5/8"(16mm)	Galv	10000	10

**17 GA**  
HEAVY WIRE  
STAPLE  
**14 Series**



STAPLE SPECIFICATIONS				
MODEL	SIZE	FINISH	BOX / QTY	BOX / CTN
1415		Galv	10000	1
1416	5/8"(16mm)	Galv	10000	1
1418	3/4"(18mm)	Galv	10000	1
1421		Galv	10000	1
1422	7/8"(22mm)	Galv	10000	1
1425	1"(25mm)	Galv	10000	1
1430	1 3/16"(30mm)	Galv	10000	1
1432	1 1/4"(32mm)	Galv	10000	1
1434		Galv	10000	1
1435	1 3/8"(35mm)	Galv	10000	1
1440	1 5/8"(40mm)	Galv	10000	1
1442		Galv	10000	1
1443		Galv	10000	1
1444		Galv	10000	1
1445	1 3/4"(45mm)	Galv	10000	1
1448		Galv	10000	1
1450	2"(50mm)	Galv	10000	1
1460	2 3/8"(60mm)	Galv	10000	1

**20 GA**  
FINE WIRE  
STAPLE  
**50 Series**

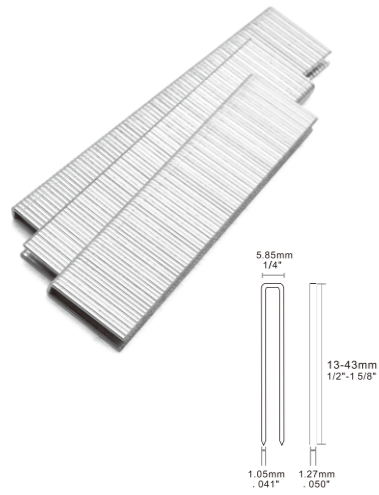


STAPLE SPECIFICATIONS				
MODEL	SIZE	FINISH	BOX / QTY	BOX / CTN
5006	1/4"(6mm)	Galv	5000	20
5008	5/15"(8mm)	Galv	5000	20
5010	3/8"(10mm)	Galv	5000	20
5012	1/2"(12mm)	Galv	5000	20
5014	9/16"(14mm)	Galv	5000	20
5016	5/8"(16mm)	Galv	5000	20

**18**<sup>GA</sup>  
MEDIUM WIRE  
STAPLE

## 90/K Series

### PRODUCT

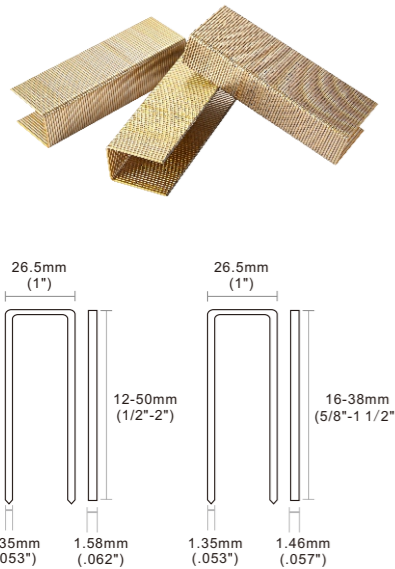


STAPLE SPECIFICATIONS				
MODEL	SIZE	FINISH	BOX / QTY	BOX / CTN
K13	1/2"(13mm)	Galv	5000	10
K16	5/8"(16mm)	Galv	5000	10
K19	3/4"(19mm)	Galv	5000	10
K22	7/8"(22mm)	Galv	5000	10
K25	1"(25mm)	Galv	5000	10
K28	1 1/8"(28mm)	Galv	5000	10
K30	1 3/16"(30mm)	Galv	5000	10
K32	1 1/4"(32mm)	Galv	5000	10
K35	1 3/8"(35mm)	Galv	5000	10
K38	1 1/2"(38mm)	Galv	5000	10
K40	1 5/8"(40mm)	Galv	5000	10

**16**<sup>GA</sup>  
HEAVY WIRE  
STAPLE

## P Series

### PRODUCT



STAPLE SPECIFICATIONS				
MODEL	SIZE	FINISH	BOX / QTY	BOX / CTN
<b>1.52</b>				
P12		Galv	5000	10
P13	1/2"(13mm)	Galv	5000	10
P16	5/8"(16mm)	Galv	5000	10
P19	3/4"(19mm)	Galv	5000	10
P20		Galv	5000	10
P22	7/8"(22mm)	Galv	5000	10
P25	1"(25mm)	Galv	5000	10
P32	1 1/4"(32mm)	Galv	5000	10
P32.7		Galv	5000	10
P38	1 1/2"(38mm)	Galv	5000	10
P44		Galv	5000	10
P50	2"(50mm)	Galv	5000	10
<b>1.46</b>				
P16	5/8"(16mm)	Galv	5000	10
P19	3/4"(19mm)	Galv	5000	10
P22	7/8"(22mm)	Galv	5000	10
P25	1"(25mm)	Galv	5000	10
P32	1 1/4"(32mm)	Galv	5000	10
P38	1 1/2"(38mm)	Galv	5000	10

# MATTERS & CAR SEAT







**16<sup>GA</sup>**  
C-RING  
PLIER

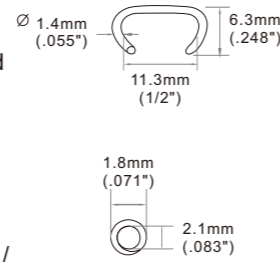
### 1/2" C-Ring Plier

#### FEATURES

- Well-balanced, ergonomically designed
- Large capacity long magazine
- Rubber comfort grip
- Can be easily converted to right or left hand operation

#### APPLICATIONS

Wire Cage / Car Set / Spring Mattress / Bag Closure .



#### FASTENER

**Type:** Tape collated C-Ring  
**Gauge size:** 16GA  
**Material:** Galvanized, stainless



**SC712**

Weight	Length	Width	Height	Capacity	Air Inlet	Trigger	Operating pressure
1.54kg/3.40lbs	275mm/10.83"	84mm/3.31"	210mm/8.27"	100pcs	1/4"NPT	Trigger	70-100psi



One-piece front valve set design better sealing



Jaw by line cutting more durable



Shorter magazine body, lighter and more flexible



**15<sup>GA</sup>**  
C-RING  
PLIER

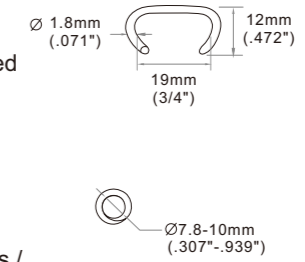
### 3/4" C-Ring Plier

#### FEATURES

- Well-balanced, ergonomically designed
- Large capacity long magazine
- Rubber comfort grip
- Can be easily converted to right or left hand operation

#### APPLICATIONS

Wire Cage / Car Set / Spring Mattress / Bag Closure



#### FASTENER

**Type:** Tape collated C-Ring  
**Gauge size:** 15GA  
**Material:** Galvanized, stainless



**SC7E-I2**

Weight	Length	Width	Height	Capacity	Air Inlet	Trigger	Operating pressure
1.74kg/3.84lbs	249mm/13.74"	84mm/3.31"	210mm/8.27"	100pcs	1/4"NPT	Trigger	70-100psi



Fish Net Making



Animal Husbandry



Spring mattress



Car Seat

**16<sup>GA</sup>**  
C-RING  
PLIER

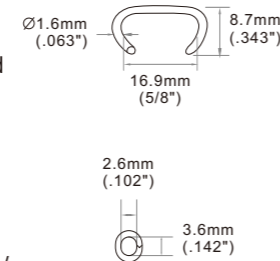
### 5/8" C-Ring Plier

#### FEATURES

- Well-balanced, ergonomically designed
- Large capacity long magazine
- Rubber comfort grip
- Can be easily converted to right or left hand operation

#### APPLICATIONS

Wire Cage / Car Set / Spring Mattress / Bag Closure .



#### FASTENER

**Type:** Tape collated C-Ring  
**Gauge size:** 16GA  
**Material:** Galvanized, stainless



**SC760C-I2**

Weight	Length	Width	Height	Capacity	Air Inlet	Trigger	Operating pressure
1.57kg/3.46lbs	300mm/11.81"	84mm/3.31"	210mm/8.27"	100pcs	1/4"NPT	Trigger	70-100psi

**11<sup>GA</sup>**  
C-RING  
PLIER

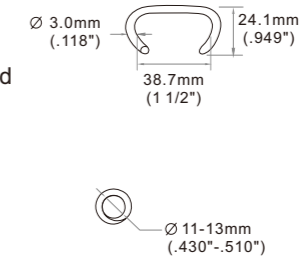
### 1 1/2" Manual C-Ring Plier

#### FEATURES

- Well-balanced, ergonomically designed
- Convenient to use, no compressed air is needed
- Rubber comfort grip

#### APPLICATIONS

Gabion / Wire Cage / fencing



#### FASTENER

**Type:** Tape collated C-Ring  
**Gauge size:** 11GA  
**Material:** Galvanized, stainless



**MT-HC45**

Weight	Length	Width	Height	Capacity	Air Inlet	Trigger	Operating pressure
4.31kg/9.50lbs	673mm/26.49"	125mm/4.92"	165mm/6.49"	45pcs	/	Manual	/

**15<sup>GA</sup>**  
C-RING  
PLIER

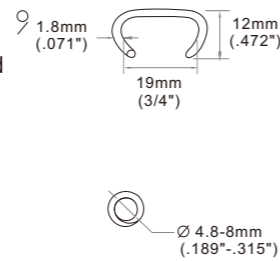
### 3/4" C-Ring Plier

#### FEATURES

- Well-balanced, ergonomically designed
- Large capacity long magazine
- Rubber comfort grip
- Can be easily converted to right or left hand operation

#### APPLICATIONS

It lends itself to Wire Cage, Car Set, Spring Mattress, Bag Closure .



#### FASTENER

**Type:** Tape collated C-Ring  
**Gauge size:** 15GA  
**Material:** Galvanized, stainless



**SC7C-I2**

Weight	Length	Width	Height	Capacity	Air Inlet	Trigger	Operating pressure
1.68kg/3.70lbs	338mm/13.30"	84mm/3.31"	210mm/8.27"	100pcs	1/4"NPT	Trigger	70-100psi

**15<sup>GA</sup>**  
C-RING  
PLIER

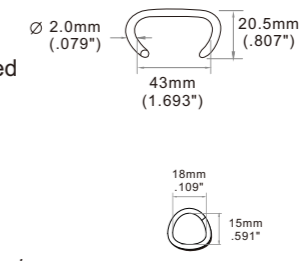
### 1 11/16" C-Ring Plier

#### FEATURES

- Well-balanced, ergonomically designed
- Large capacity long magazine
- Rubber comfort grip
- Can be easily converted to right or left hand operation

#### APPLICATIONS

Wire Cage / Car Set / Spring Mattress / Bag Closure



#### FASTENER

**Type:** Tape collated C-Ring  
**Gauge size:** 15GA  
**Material:** Galvanized, stainless



**MTC560**

Weight	Length	Width	Height	Capacity	Air Inlet	Trigger	Operating pressure
1.68kg/3.70lbs	422mm/16.61"	131mm/5.16"	210mm/8.27"	125pcs	1/4"NPT	Trigger	80-120psi

# MEITE TOOL RECOMMENDATION

**MTC560**  
Wire Cage, Car Set  
Spring Mattress  
Bag Closure

**SC7C-I2**  
Wire Cage, Car Set  
Spring Mattress  
Bag Closure

**SC760C-I2**  
Wire Cage, Car Set,  
Spring Mattress, Bag Closure

**SC7E-I2**  
Wire Cage, Car Set,  
Spring Mattress, Bag Closure

**SC712**  
Wire Cage, Car Set,  
Spring Mattress, Bag Closure

**MT-CH45**  
Gabion, Wire Cage,  
and fencing .

**15**  
GA  
C-RING

**16**  
GA  
C-RING

## C-Ring Series



C-RING SPECIFICATIONS						
MODEL	A	B	C	D	PCS	BOX
SC7	.071"(1.8mm)	3/4"(19mm)	.472"(12mm)	.189"-.315"(4.8-8mm)	10000	4
SC760	.063"(1.6mm)	1/2"(12.5mm)	.343"(8.7mm)	.126"-.189"(3.2-4.8mm)	18000	4
C56	.079"(2.0mm)	1 1/2"(39mm)	3/4"(20mm)	.590"-.709"(15-18mm)	10000	1
C60	.079"(2.0mm)	2 1/4"(56mm)	3/4"(20mm)	.787"-.984"(20-25mm)	10000	1

# NAIL REMOVING





**AP38**

**De-Nailer**

**FEATURES**

- Tool for pallet repairing
- Light weight & well-balanced Rubber
- Comfort grip
- Durable driver and bumper for long life

**APPLICATIONS**

Pallets / Packaging / Crates / Wood



Weight	0.93kg/2.05lbs
Length	270mm/10.63"
Width	60mm/2.36"
Height	200mm/7.87"
Capacity	/
Air Inlet	1/4"NPT
Trigger	Trigger
Operating pressure	70-100psi



**T50SC-B**

**De-Nailer**

**FEATURES**

- Tool for pallet repairing
- Light weight & well-balanced Rubber
- Comfort grip
- Durable driver and bumper for long life

**APPLICATIONS**

Pallets / Packaging / Crates / Wood



Weight	1.06kg/2.34lbs
Length	282mm/11.10"
Width	62mm/2.44"
Height	228mm/8.97"
Capacity	/
Air Inlet	1/4"NPT
Trigger	Trigger
Operating pressure	70-100psi



**NP55**

**De-Nailer**

**FEATURES**

- Tool for pallet repairing
- Light weight & well-balanced
- Rubber comfort grip
- Durable driver and bumper for long life
- Powerful for heavy-duty applications

**APPLICATIONS**

Pallets / Packaging / Crates / Wood



Weight	2.0kg/4.41lbs
Length	298mm/11.73"
Width	88mm/3.46"
Height	276mm/10.86"
Capacity	/
Air Inlet	1/4"NPT
Trigger	Trigger
Operating pressure	70-100psi



**NP70**

**De-Nailer**

**FEATURES**

- Tool for pallet repairing
- Light weight & well-balanced
- Rubber comfort grip
- Durable driver and bumper for long life
- Powerful for heavy-duty applications

**APPLICATIONS**

Pallets / Packaging / Crates / Wood



Weight	2.73kg/6.02lbs
Length	343mm/13.50"
Width	303mm/11.92"
Height	109mm/4.29"
Capacity	/
Air Inlet	1/4"NPT
Trigger	Trigger
Operating pressure	70-100psi

**De-Nailer Model selection**

Model	Thickness of wood	Length of nail	Note
AP38	within 15mm	within 45mm	1.this list is only for your reference 2.you should chose one model bigger if the wood is hard
T50SC-B	16-25mm	46-70mm	
NP55	26-40mm	71-90mm	
NP70	above 40mm	above 90mm	



**De-Nailer**

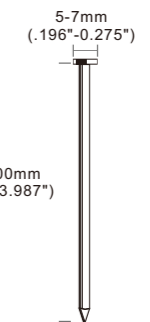
**De-Nailer**

**FEATURES**

- Powerful for heavy-duty applications
- Durable driver and bumper for long life
- Well-balanced comfort rubber grip
- Accurate nose minimize nailiam
- Bump firing trigger for high speed operation

**APPLICATIONS**

Pallets / Crates / Wood case / Sheathing / Siding / Fencing / Decking



**FASTENER**

Type:  
Plastic-collated strip nails  
Full-head nails  
Nail pitch:  
6.8mm(.267")  
Shank Type:  
Smooth



**BW100**

Weight	Length	Width	Height	Capacity	Air Inlet	Trigger	Operating pressure
2.1kg/4.62lbs	320mm/12.59"	110mm/4.33"	290mm/11.42"	1pcs	1/4"NPT	Trigger	90-120psi



Cable reel



Board



Wooden pallets



Wooden box



PICTURE FRAME & ARTCRAFT



Deco Nailer

FEATURES

- Light weight
- Rubber comfort grip
- Magnetic nosepiece

APPLICATIONS

Furniture / Picture / Frame Shoes



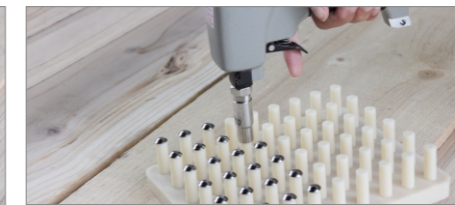
MODEL	ZN0630	ZN0750	ZN0860
D(mm)	6.3	7.5	8.6
MODEL	ZN0960	ZN1080	ZN1170
D(mm)	9.6	10.8	11.7
MODEL	ZN1230	ZN1400	ZN1620
D(mm)	12.3	14.0	16.2
MODEL	ZN1820	ZN2030	ZN2230
D(mm)	18.2	20.3	22.3
MODEL	ZN2530	ZN2830	ZN3030
D(mm)	25.3	28.3	30.0

ZN1400

Weight	Length	Width	Height	Capacity	Air Inlet	Trigger	Operating pressure
0.64kg/1.41lbs	208mm/8.81"	42mm/1.65"	174mm/6.85"	1pcs	1/4"NPT	Trigger	60-100psi



Step1  
Put the studs in plate



Step2  
Put the nose on the studs



Step3  
Actuate the trigger to shoot



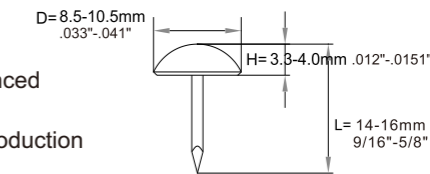
Deco Nailer

FEATURES

- Speed control feeding
- Light weight & well-balanced
- Rapid & easy-loading
- Ideal for high-volume production

APPLICATIONS

Furniture / Picture / Frame Shoes



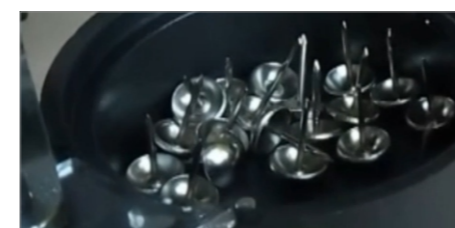
FASTENER

Type:  
Deco Nail  
Material:  
Galvanized, stainless



ZN-12

Weight	Length	Width	Height	Capacity	Air Inlet	Trigger	Operating pressure
1.09kg/2.40lbs	245mm/9.64"	95mm/9.74"	195mm/7.67"	50pcs	1/4"NPT	Trigger	60-100psi



Step1  
Put the studs in the magazine set



Step2  
Adjust air inlet



Step3  
Actuate the trigger to shoot



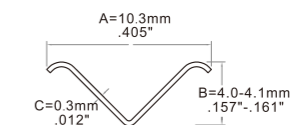
V-Nailer

FEATURES

- Light weight & Well-balanced
- Rubber comfort grip
- Ideal for miter joint applications

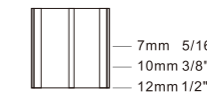
APPLICATIONS

Picture Frame / Windows Door



FASTENER

Type:  
V-nails  
Collation type:  
Glued Strip



V1015B

Weight	Length	Width	Height	Capacity	Air Inlet	Trigger	Operating pressure
1.49kg/3.28lbs	270mm/10.62"	65mm/2.55"	208mm/8.18"	200pcs	1/4"NPT	Trigger	60-100psi

# MEITE TOOL RECOMMENDATION BY FLOW OF CONSTRUCTION



**ZN-12**  
Furniture, Picture,  
Frame Shoes

**V1015B**  
Picture Frame,  
Windows Door

**ZN1170**  
Furniture, Picture,  
Frame Shoes



## ACCESSORIES

- Cylinder Set
- Cylinder Cap
- Bumper
- Active Valve
- Magazine
- O-ring
- Muzzle
- Lubricant
- Driver Set

Professional Grade Products

Cylinder Set



Cylinder Cap



Bumper



Active Valve



Magazine



Driver Set



O-ring



Muzzle



**meite** Safety Glass  
Always wear safety glasses  
in the work area.

Muzzle



Lubricant



**meite** special lubricant

Proper Lubrication is necessary for this pneumatic tool.  
Lube oil through the air inles before and after for each time use if not using an oiler.  
Proper lubrication can increases the usage length of your tool also prevents rust from  
forming Use MEITE lube oil for best performance.